

HYBRID VOLTAGE CONTROLLED CRYSTAL OSCILLATORS (VCXO's)

T-50-23

4 PIN DIP, TTL, 5.0MHz to 30.0MHz VO1814 SERIES



PIN CONNECTIONS:

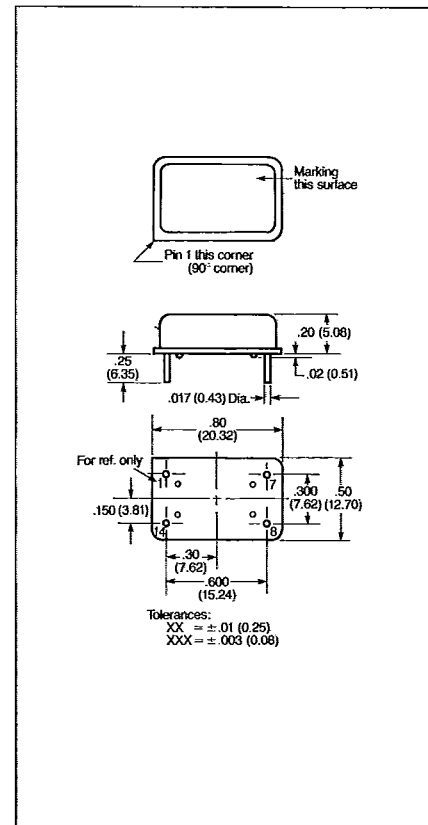
Pin 1 : AFC input
Pin 7 : 0 volts & case GND
Pin 8 : output
Pin 14 : V_{cc} , +5VDC

To order

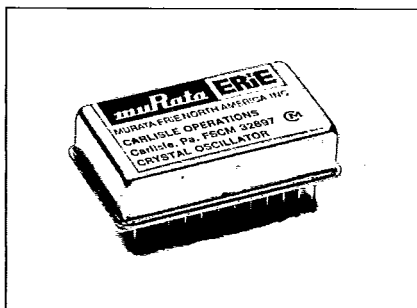
please specify model VO1814 & desired output frequency

SPECIFICATIONS

| | |
|---------------------------------------|---|
| Frequency range: | 5.0MHz to 30.0MHz |
| Output: | square wave, TTL compatible |
| Symmetry: | 50/50, $\pm 10\%$ |
| Input: | +5VDC, $\pm 5\%$ |
| Input current: | 50mA max. |
| Temperature Range: | 0°C to +70°C |
| Frequency tolerance over temperature: | ± 25 ppm |
| Frequency deviation: | ± 50 ppm min. |
| AFC input voltage: | +2.5VDC, ± 1.5 VDC (center frequency occurs when +2.5VDC is applied to pin 1) |
| AFC input impedance: | 10K Ω min. |
| Slope: | positive (frequency increases with increasing voltage) |
| Modulation rate: | 15KHz max. |



24 PIN DIP, ECL, 5.0MHz to 90.0MHz VO1815 SERIES



PIN CONNECTIONS:

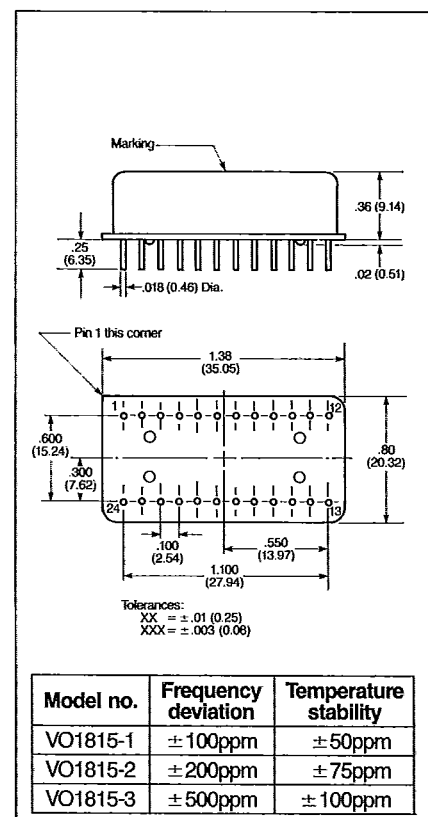
Pin 1 : AFC input
Pin 12 : V_{ee} , -5.2VDC
Pin 13 : output
Pin 24 : 0 volts & case GND

To order

please specify model VO1815 and the appropriate dash number for the desired frequency deviation from the chart below, plus the desired output frequency.

SPECIFICATIONS

| | |
|---|--|
| Frequency range: | 5.0MHz to 90.0MHz |
| Output: | square wave, ECL compatible |
| Symmetry: | 50/50, $\pm 10\%$ |
| Input: | -5.2VDC, $\pm 5\%$ |
| Input current: | 75mA max. |
| Temperature Range: | 0°C to +70°C |
| Frequency tolerance over temperature range: | (see chart at right) |
| Frequency deviation: | (see chart at right) |
| AFC input voltage: | ± 5 VDC (center frequency occurs at 0VDC) |
| AFC input impedance: | 10K Ω min. |
| Slope: | positive (frequency increases with increasing voltage) |
| Modulation rate: | 15KHz max. |



| Model no. | Frequency deviation | Temperature stability |
|-----------|---------------------|-----------------------|
| VO1815-1 | ± 100 ppm | ± 50 ppm |
| VO1815-2 | ± 200 ppm | ± 75 ppm |
| VO1815-3 | ± 500 ppm | ± 100 ppm |